

IMPORTANT SAFEGUARDS

⚠ WARNING / AVERTISSEMENT

RISK OF ELECTRIC SHOCK

- Disconnect power before installation or removal.
- Properly ground electrical enclosure.

RISK OF FIRE

- Follow all NEC and local codes.
- Use only UL approved wire for input/output connections. Only use size 18 AWG.

RISQUES DE DÉCHARGES ÉLECTRIQUES

- Coupez l'alimentation avant d'inspecter, installer ou déplacer le luminaire.
- Assurez-vous de correctement mettre à la terre le boîtier d'alimentation électrique.

RISQUES D'INCENDIE

- Respectez tous les codes NEC et codes locaux.
- N'utilisez que des fils approuvés par UL pour les entrées/sorties de connexion. Taille minimum 18AWG ou 14 AWG.

DISCLAIMER OF LIABILITY

- MORSTAR Lighting assumes no liability for damages or losses of any kind that may arise from the improper, careless, or negligent installation, handling, or use of this product.

Caution



- To avoid possibility of electrical shock or fire, the installation personnel must have professional electric knowledge.
- Please wear gloves to avoid injury before installation.
- If any smoke or spark of the wire happened, please turn off the power immediately and notify relevant personnel.



- The grounding and bonding of the overall system shall be done in accordance with National Electric Code (NEC) and local codes.

Note

- Fixture may become damaged and/or unstable if not installed properly.
- Specifications and dimensions subject to change without notice.

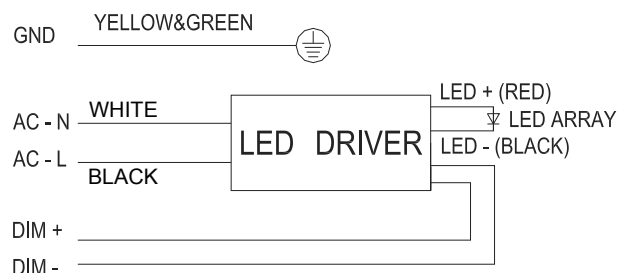
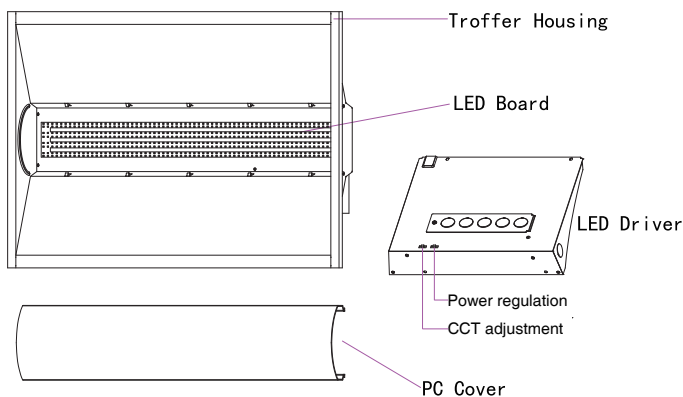
ATTENTION Receiving Department:

- Please check if there is any damage during shipping. If so, please contact the manufacturer timely.
- Please read the installation instruction carefully to check whether all the accessories are complete. After confirmation, then install the fixture according to installation steps

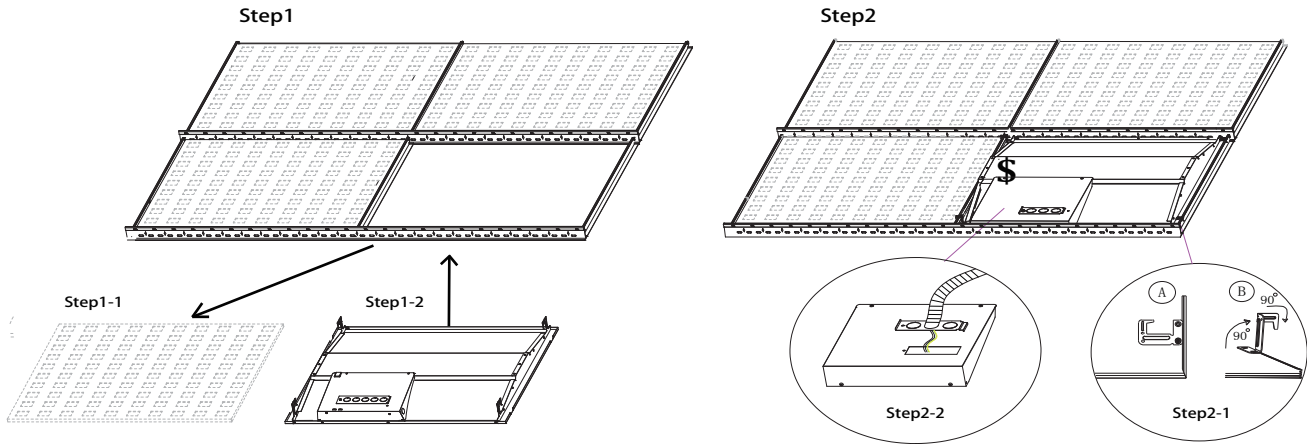
Application

With Die-cast Aluminum Housing Heating sink, High Performance Lumileds SMD3030, DLC Premium Design, the LED Wall Pack is designed for Factory workshop, Gym, Industrial lighting, Wall lighting area, Plant, Stadium, Architectural lighting, etc.

WIRING DIAGRAM



INSTALLATION INSTRUCTION



Step 1: Make sure of all the power is off before installing. Remove the one ceiling tile that you need to install light fixture on. Then place the light fixture on the T-bar carefully and make sure it is correctly in place and secure.

Step 2: Lift the 4 buckles on the back of the panel up by 90° then bend the top part of the buckles 90° towards the direction where you can anchor the light fixture to the T-bar.

Step 3: Open the driver's junction box and connect the AC wire to the driver correctly (L=black & N=white)

Warning:

Ensure the power supply has been cut off before connecting the wire, and all wiring and installation of this product are required to be operated by professionals.



CAUTIONS:

READ AND FOLLOW ALL SAFETY INSTRUCTIONS.

1. Turn off the power and make sure the installation point can burden the weight of the lamp.
2. This luminaire must be installed in accordance with the NEC or your local electrical code.
3. Make sure the lamp is securely installed to prevent fixture from falling off.
4. Make certain to properly connect ground wire.
5. Do not use the lamp in the area with aggressive gas.
6. Product failures caused by modifications or improper installation are not protected by the warranty.

CAUTION:

Be sure the fixture temperature is cool enough to touch. Do not clean or maintain while the fixture is energized.

1. Make sure the power has been turned off before maintenance.
2. Clean the lens cover regularly to maintain high transmission of light.
3. Clean up the dust from the reflector and heat sink regularly to keep sound heat dispersion.
4. Be careful not to use water or corrosive solution for cleaning, preferably with a dry cloth.
5. Do not cover anything on the lamp which is harmful for heat sink.

TROUBLESHOOTING

1. Check that the line voltage at the fixture is correct. Refer to wiring directions.
2. Is the fixture grounded properly?

Note: *These instructions do not cover all details or variations in equipment, nor do they provide for every possible situation during installation operation or maintenance.*

Note:

This equipment has been tested and found to comply with the limits for a Class A digital device, pursuant to part 15 of the FCC Rules. These limits are designed to provide reasonable protection against harmful interference when the equipment is operated in a commercial environment. This equipment generates, uses, and can radiate radio frequency energy and, if not installed and used in accordance with the instruction manual, may cause harmful interference to radio communications. Operation of this equipment in a residential area is likely to cause harmful interference in which case the user will be required to correct the interference at his own expense. This device complies with Part 15 of the FCC Rules. Operation is subject to the following two conditions: (1) This device may not cause harmful interference, and (2) this device must accept any interference received, including interference that may cause undesired operation. This Class [A] RFLD complies with the Canadian standard ICES-005. Ce DEFR de la classe [A] est conforme à la NMB-005 du Canada.

Note:

This equipment has been tested and found to comply with the limits for a Class A digital device, pursuant to part 15 of the FCC Rules. These limits are designed to provide reasonable protection against harmful interference when the equipment is operated in a commercial environment. This equipment generates, uses, and can radiate radio frequency energy and, if not installed and used in accordance with the instruction manual, may cause harmful interference to radio communications. Operation of this equipment in a residential area is likely to cause harmful interference in which case the user will be required to correct the interference at his own expense.