

## IMPORTANT SAFEGUARDS

### ⚠ WARNING / AVERTISSEMENT

#### RISK OF ELECTRIC SHOCK

- Disconnect power before installation or removal.
- Properly ground electrical enclosure.

#### RISK OF FIRE

- Follow all NEC and local codes.
- Use only UL approved wire for input/output connections. Only use size 18 AWG.

#### RISQUES DE DÉCHARGES ÉLECTRIQUES

- Coupez l'alimentation avant d'inspecter, installer ou déplacer le luminaire.
- Assurez-vous de correctement mettre à la terre le boîtier d'alimentation électrique.

#### RISQUES D'INCENDIE

- Respectez tous les codes NEC et codes locaux.
- N'utilisez que des fils approuvés par UL pour les entrées/sorties de connexion. Taille minimum 18AWG ou 14 AWG.

## DISCLAIMER OF LIABILITY

- MORSTAR Lighting assumes no liability for damages or losses of any kind that may arise from the improper, careless, or negligent installation, handling, or use of this product.

## Caution



- To avoid possibility of electrical shock or fire, the installation personnel must have professional electric knowledge.
- Please wear gloves to avoid injury before installation.
- If any smoke or spark of the wire happened, please turn off the power immediately and notify relevant personnel.



- The grounding and bonding of the overall system shall be done in accordance with National Electric Code (NEC) and local codes.

## Note

- Fixture may become damaged and/or unstable if not installed properly.
- Specifications and dimensions subject to change without notice.

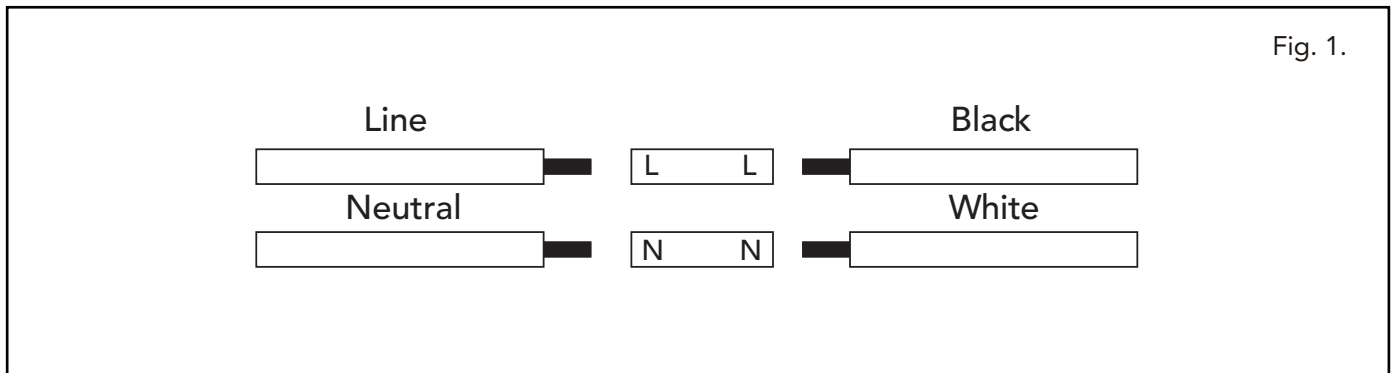
## ATTENTION Receiving Department:

- Please check if there is any damage during shipping. If so, please contact the manufacturer timely.
- Please read the installation instruction carefully to check whether all the accessories are complete. After confirmation, then install the fixture according to installation steps

## Application

With Die-cast Aluminum Housing Heating sink, High Performance Lumileds SMD3030, DLC Premium Design, the LED Wall Pack is designed for Parking structures, Storage areas, Shopping area walkways, Entryway, and Low level security etc.

## WIRING DIAGRAM



## WIRING

Universal voltage driver permits operation at 120V, 50/60 Hz. Follow wiring directions as in Fig. 1.

1. Connect the black fixture lead to the (L) LINE supply lead.
2. Connect the white fixture lead to the (N) NEUTRAL supply lead.

**⚠ WARNING**

**PLEASE READ ALL INSTRUCTIONS BEFORE ATTEMPTING INSTALLATION**

- To prevent personal injury or product damage only licensed electricians should install.
- To avoid electric shock or component damage disconnect power before attempting installation or servicing.
- This product must be installed in accordance with the national electric code (NEC) and all applicable federal, state and local electric codes and safety standards.
- Disconnect product and allow cooling prior to servicing.
- Any alteration or modification of this product is expressly forbidden as it may cause serious personal injury, death, property damage and/or product malfunction.
- To prevent product malfunction and/or electrical shock this product must be properly grounded.
- This luminaire is designed to operate in ambient temperatures ranging from -40°C to 40°C and to be horizontally mounted with the LEDs facing down.
- This product is not available for several special environments, such as places with corrosive gas liquids or high pressure water vapor

### Installation

#### KEYLESS LED LUMINAIRE

This luminaire should only be used with electrical wiring that is in good working order and that meets all applicable codes and ordinances.

**WARNING!!! ELECTRICAL SHOCK HAZARD**

Only install this luminaire with electrical wiring in good working order and meets all applicable codes and ordinances.

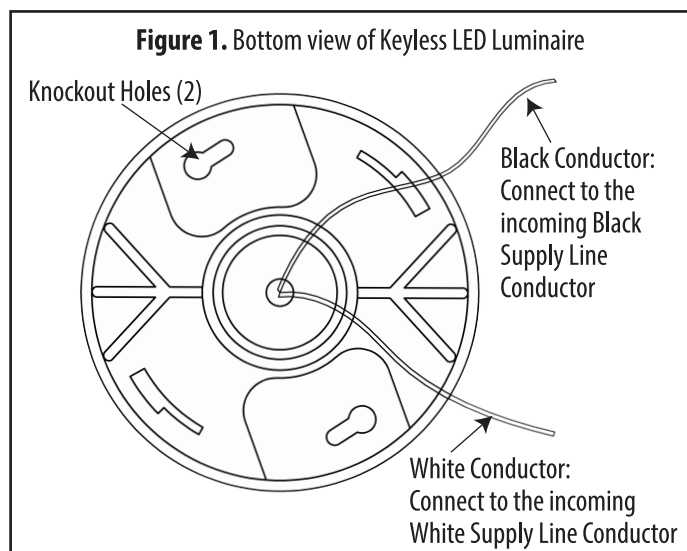
**CAUTION**

**Must use a minimum of 90°C, 14-12 AWG Supply Conductors.**

1. This luminaire must be mounted to a 4" (10 cm) round junction box.
2. Strip the insulation from the incoming "Black" supply line conductor to expose approximately 1/2" of bare copper. Follow this same procedure for the "White" incoming supply line conductor.
3. Using wire nuts or another termination device, connect the "Black" supply line conductor directly to the Black conductor on the luminaire. Follow the same procedure and connect the "White" incoming supply line conductor directly to the White conductor on the luminaire. See Figure 1.

*Note: Termination of the Black and white supply line conductors to the luminaire's Black and White conductors is critical to maintain the correct polarity and not damage the luminaire.*

4. Insert the two (2) long mounting screws through the knockout holes on the luminaire, then attach the luminaire to the junction box. Restore power to the circuit breaker.



## GU24 LED PULL CHAIN LUMINAIRE

This luminaire should only be used with electrical wiring that is in good working order and that meets all applicable codes and ordinances.

### WARNING!!! ELECTRICAL SHOCK HAZARD

Only install this luminaire with electrical wiring in good working order and meets all applicable codes and ordinances.

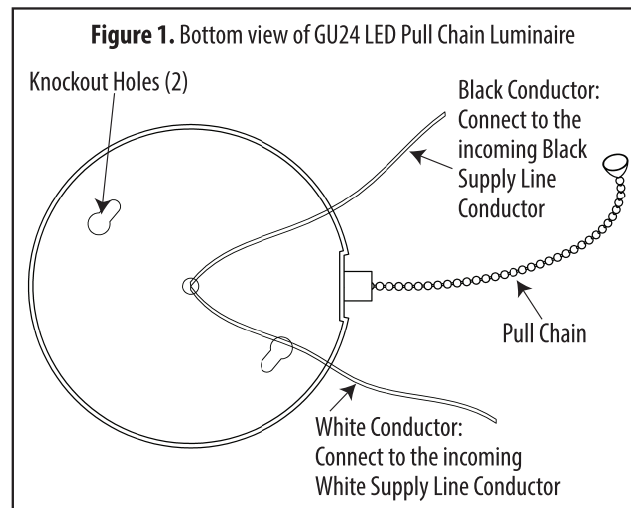
### CAUTION

**Must use a minimum of 90°C, 14-12 AWG Supply Conductors.**

1. This luminaire must be mounted to a 4" (10 cm) round junction box.
2. Strip the insulation from the incoming "Black" supply line conductor to expose approximately 1/2" of bare copper. Follow this same procedure for the "White" incoming supply line conductor.
3. Using wire nuts or another termination device, connect the "Black" supply line conductor directly to the Black conductor on the luminaire. Follow the same procedure and connect the "White" incoming supply line conductor directly to the White conductor on the luminaire. See Figure 1.

***Note:** Termination of the Black and white supply line conductors to the luminaire's Black and White conductors is critical to maintain the correct polarity and not damage the luminaire.*

4. Insert the two (2) long mounting screws through the knockout holes on the luminaire, then attach the luminaire to the junction box. Restore power to the circuit breaker.



## TROUBLESHOOTING

1. Check that the line voltage at the fixture is correct. Refer to wiring directions.
2. Is the fixture grounded properly?

**Note:** These instructions do not cover all details or variations in equipment, nor do they provide for every possible situation during installation operation or maintenance.

### Note:

This equipment has been tested and found to comply with the limits for a Class A digital device, pursuant to part 15 of the FCC Rules. These limits are designed to provide reasonable protection against harmful interference when the equipment is operated in a commercial environment. This equipment generates, uses, and can radiate radio frequency energy and, if not installed and used in accordance with the instruction manual, may cause harmful interference to radio communications. Operation of this equipment in a residential area is likely to cause harmful interference in which case the user will be required to correct the interference at his own expense. This device complies with Part 15 of the FCC Rules. Operation is subject to the following two conditions: (1) This device may not cause harmful interference, and (2) this device must accept any interference received, including interference that may cause undesired operation. This Class [A] RFLD complies with the Canadian standard ICES-005. Ce DEFR de la classe [A] est conforme à la NMB-005 du Canada.

### Note:

This equipment has been tested and found to comply with the limits for a Class A digital device, pursuant to part 15 of the FCC Rules. These limits are designed to provide reasonable protection against harmful interference when the equipment is operated in a commercial environment. This equipment generates, uses, and can radiate radio frequency energy and, if not installed and used in accordance with the instruction manual, may cause harmful interference to radio communications. Operation of this equipment in a residential area is likely to cause harmful interference in which case the user will be required to correct the interference at his own expense.