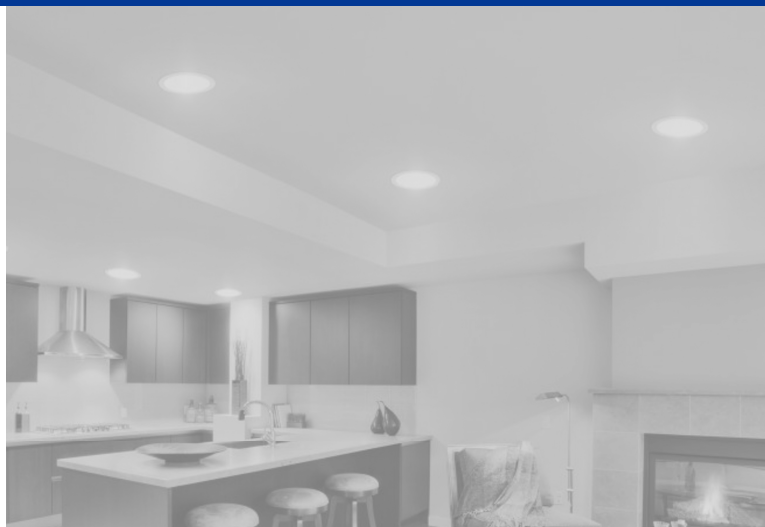


# LED SMART DOWNLIGHT LIGHT



## SMART SERIES



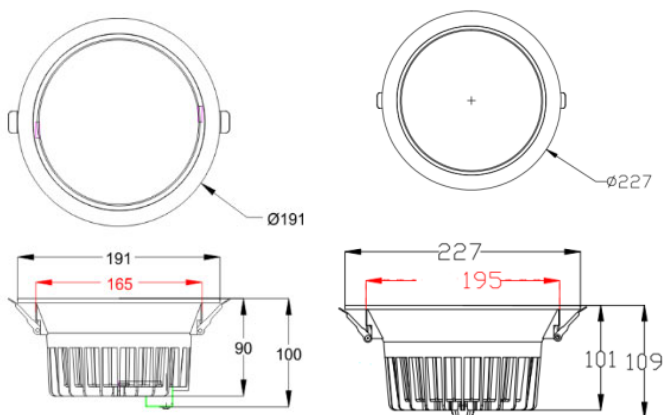
### PRODUCT DESCRIPTION:

The Smart Series Downlight is a highly durable and robust light designed for interior residential and commercial applications. The APP combined with the built-in UL dual-channel intelligent driver and Bluetooth sensor, allows you to adjust the CCT, brightness, standby time, motion detection and create a schedule.

### CONTROLS:

- Wireless occupancy and daylight sensor
- Led Driver with built-in wireless BlueTooth module

### DIMENSION DRAWING:



### FEATURES:

- Plenum & Type IC Rated: No housing Required
- Occupancy and daylight harvesting sensor
- Base on Morlink / Silvair Bluetooth Wireless Control
- CRI 80/90: True color rendering is for option
- Fast & Easy Installation: Save labor cost
- Designed for surface mounting
- Compliant with US and Canada or CE codes
- Superior efficacy meets DLC Premium requirements.

### APPLICATIONS:

- Office & Education
- Residential & Hotel
- Medical Insurance & Hospital

### WARRANTY:

- 5-year standard warranty

### DIMENSION CHART:

Model	Length	Width	Dia
6"(25W)	7.51"	3.93"	7.51"
8"(36W)	8.93"	4.29"	8.93"



## PARAMETER

Ordering information MA-HDW3016B-25W-F-CCT-D-LV-M-B

FAMILY	WATTAGE	DIFFUSER TYPE	CCT	D	LV	SENSOR MODEL	OPTIONS
MA-HDW3016B= LED Downlight Light	25W	F=Frosted Diffuser C=Clear Diffuser	<sup>1</sup> TCP=3CCT Selectable CCT=CCT Smart Adj	Dimming	LV=277V	M=Microwave P=PIR	B=BLE Control EM= Emergency Driver

<sup>1</sup>TCP=3000K/4000K/5000K DIP Selectable  
CCT=3000K-5000K Stepless Adj

## SPECIFICATION:

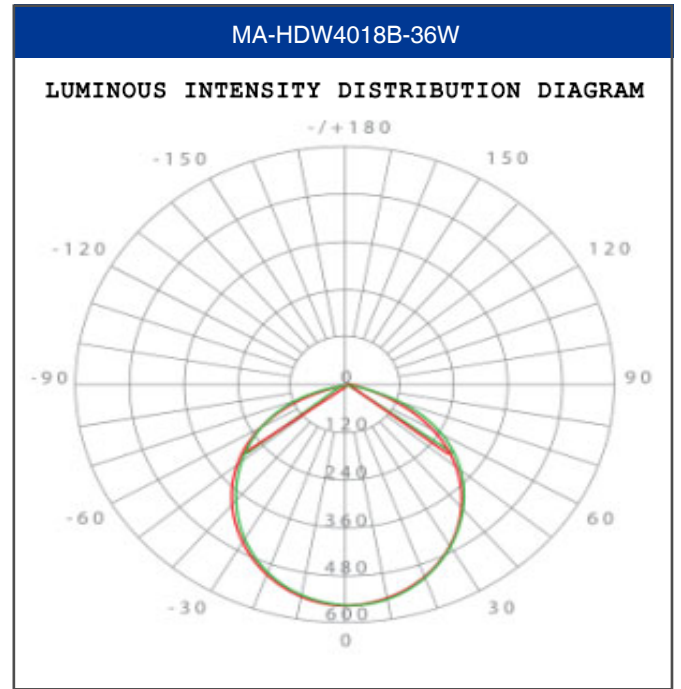
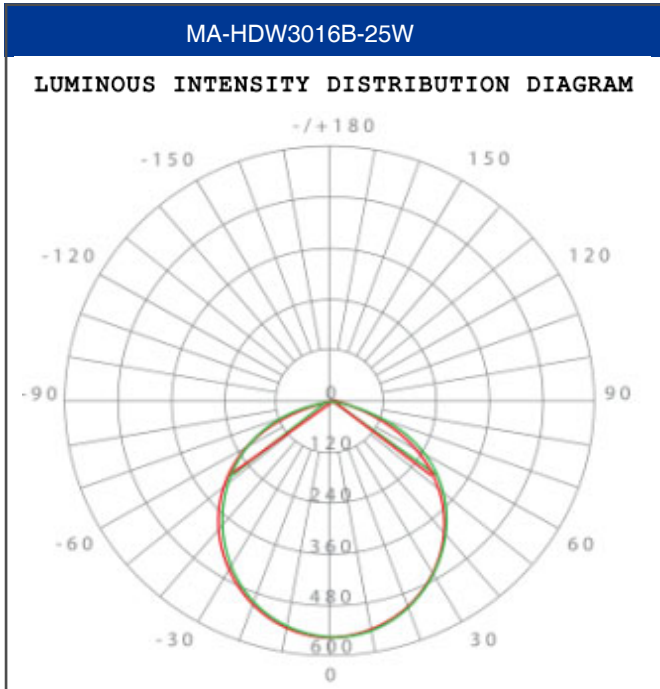
		MA-HDW3016B-25W	MA-HDW4018B-36W
ITEM	SPECIFICATION	DETAILS	
GENERAL PERFORMANCE	Power Consumption	25W	36W
	Equivalent Wattage	70W	100W
	Lumens Delivered	2,250 lm	3,200 lm
	Efficacy	90 lm/W	
	CRI	82+	
	Color Temperature	2700K-6500K CCT App Adjustable	
	L70 Lumen maintenance	50,000 hours	
ELECTRICAL	Power Factor	>0.9	
	Input Voltage	100-277V	
	Dimming	Triac dimming 10-100% / App dimming	
PHYSICAL	Mounting	Surface mounting	
	Operating Temperature		
	Qualifications	ETL	
QUALIFICATION	Material Usage	RoHS compliant; no mercury	
	Environment	Suitable for use in indoor, outdoor, damp locations	
	Warranty	5 Years Warranty	

\*To stem mount product,remove hook in the field.

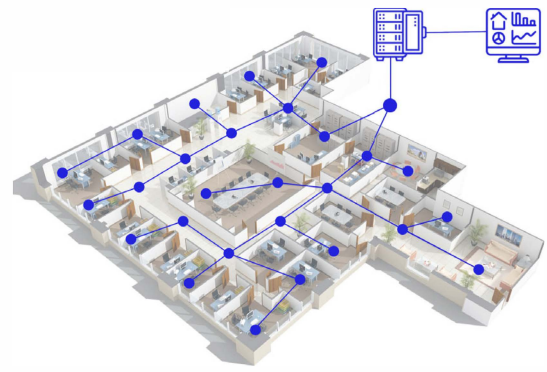


## PHOTOMETRIC REPORTS

Photometric values based upon tests performed in compliance w/ LM-79.



# Our Smart Lighting Solutions



## MORLINK

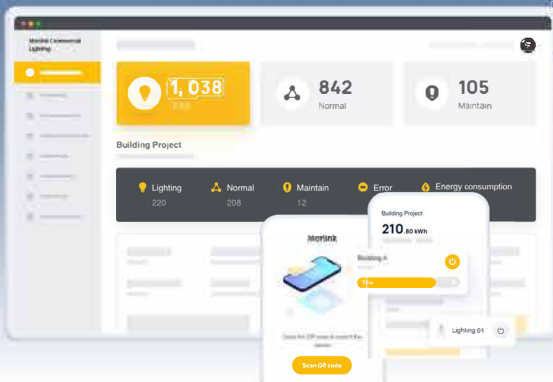


### Complete Businesses Smart Lighting Solution

**01** Multi-application platform design, integrating Bluetooth, Zigbee and WiFi wireless general technology can realize equipment group control, equipment monitoring and fault diagnosis, scene management, and automation, etc.

**02** Users can share lighting equipment by equipment category or area on the Morlink SaaS platform, and scan the equipment sharing QR code through the Morlink applet for remote control.

**03** Support visual management of equipment, large-scale data analysis, user authorization and allocation, site mapping and configuration, and unified management of multiple projects.



## SILVAIR



### Reliable and energy-efficient lighting control solution

Silvaire Intelligent Lighting Control System is a wireless lighting control system that uses Bluetooth mesh technology to enable advanced lighting control capabilities. Compared to other competitors in the market.



#### Compatibility

Compatible with more devices including DALI and 0-10V interfaces. Can be easily integrated into existing lighting infrastructure without major changes.



#### Capabilities

More advanced lighting control functions can be integrated with other building automation systems to provide a comprehensive solution for intelligent lighting control.



#### Interface

Friendly interface: Intuitive user interface, can easily control and manage their lighting system and provide configuration and customization services to meet specific user needs.



#### Scalability

Highly scalable and can be easily expanded as lighting needs grow. This makes it an ideal solution for both small and large-scale projects.

