

UFO High Bay



INSTRUCTION MANUAL

- Thank you for purchasing our UFO Highbay. Please read the below articles carefully to see how to use this product safely.
- Warning contents and attention contents related to product safety use, please be sure to follow it.

⚠ Warning

- This UFO High bay within the input voltage range:100-277VAC,50/60Hz.
- If input voltage exceeds this range, it may cause light failure. Please be sure to operate under correct input voltage.
- Ensure ambient operating temperature of -40°F(-40°C) through 113°F(45°C).
- Using this UFO High bay in temperatures outside of this range will reduce the UFO High bay lifespan.
- Make sure to turn off power before starting the installation process.

⚠ Attention

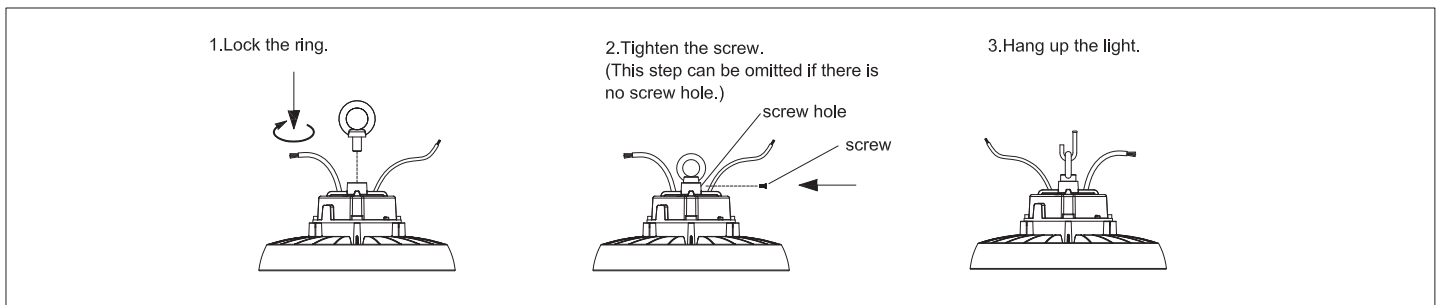
- IP rating: IP65, can work under wet locations.
- Please keep the UFO High bay away from any corrosive substance. When you clean it, please use damp or dry cloth.

Model Number	UHB1110-100W-XXX-X-XXX	UHB1115-150W-XXX-X-XXX	UHB1120-200W-XXX-X-XXX	UHB1124-240W-XXX-X-XXX
Power	100W	150W	200W	240W
Input Current	1.1A	1.65A	2.2A	2.64A
Input Voltage	AC100-277V			
Frequency	50/60Hz			

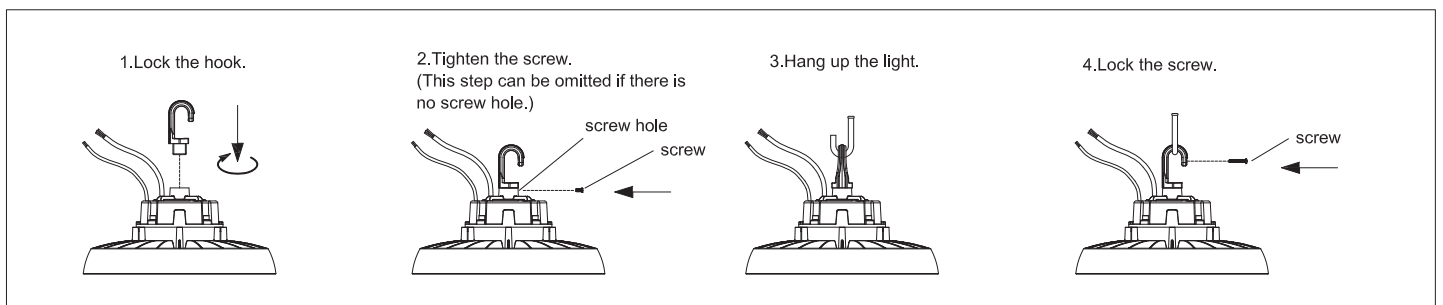
"XXX" can be any letter or number to represent light-emitting angle;
"X" can be "H", "L", "HY"(Y=number) to represent the lighting effect (no effect to power);
"XXXK" can be "35K", "40K", "50K", "57K", "65K".

Installation Instruction

1. Rings type:



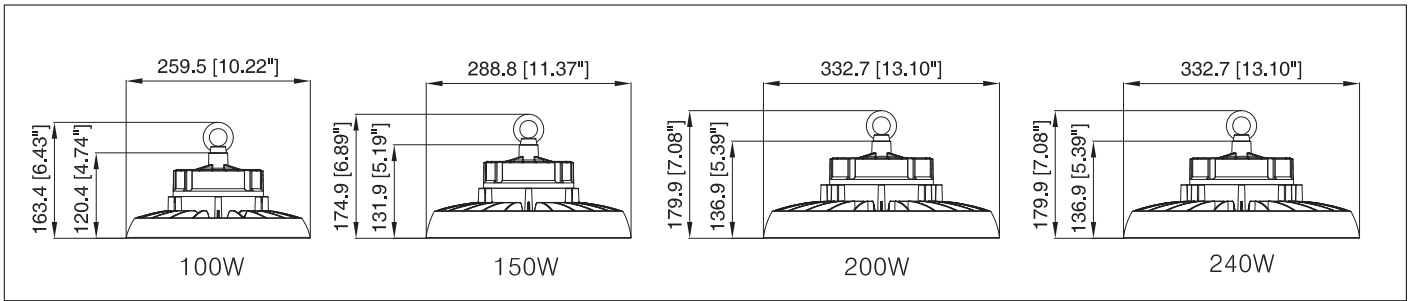
2. Hook type:



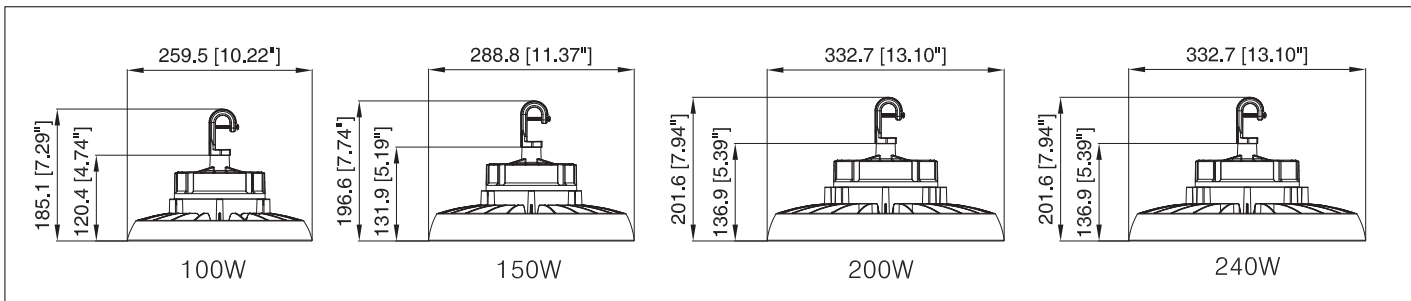
Product Dimension



1. Rings type:



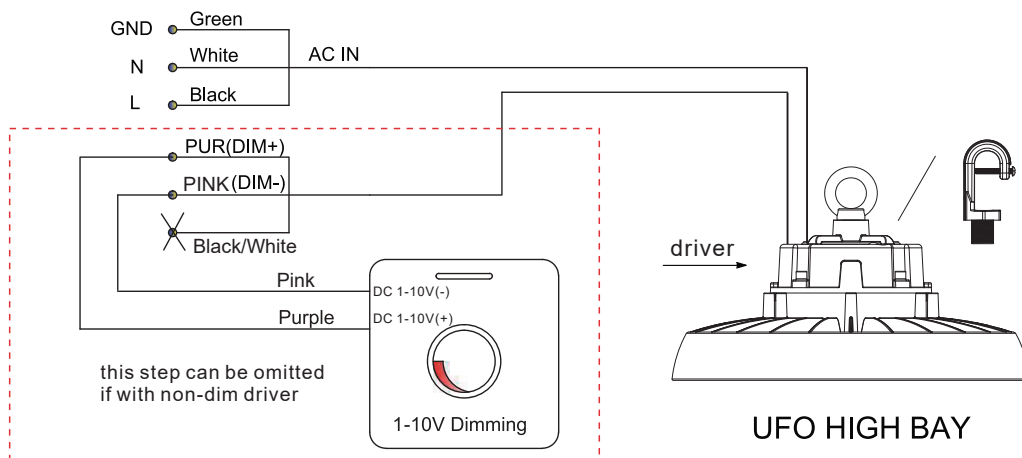
2. Hook type:



Wiring Connection

Turn off the power, connect AC wire. black wire to L, white wire to N, and green wire to E. Dimmer connection (with dimmable driver.)

- Compatible with 1-10V dimming.
- Connect wires as below, purple wire is D+, pink wire is D-, cop Black/White wire.



The Installation must be carried out by a qualified electrician.