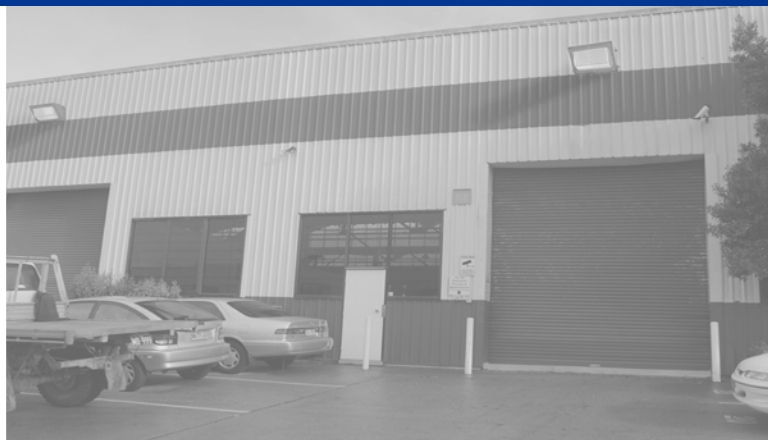


# LED SMART WALLPACK LIGHT



## SMART 400ES SERIES



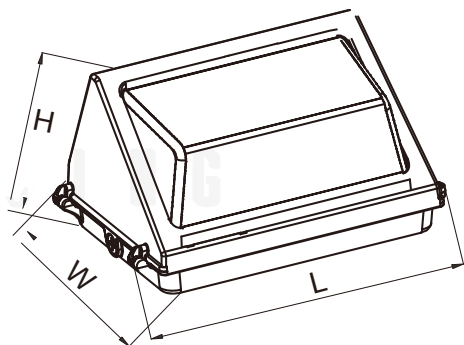
### PRODUCT DESCRIPTION:

The LED Wallpack 400ES is a Power & CCT Selectable LED Wall Pack, which has many options for different countries and applications. The power supply and the optical part are separated, so the lifespan of the fixture is also extended. Through Bluetooth meshed technology and intelligent control system, brightness adjustment, schedule management, motion detection, group control, and ambient light adjustment can be achieved on App or Saas.

### CONTROLS:

- Wireless occupancy and daylight sensor
- Led Driver with built-in wireless BlueTooth module

### DIMENSION DRAWING:



### FEATURES:

- Easy installation
- Long Lifespan. Premium 2835 LED chips lasting over 50,000 hours.
- UV Resistance No Discoloration
- Strong housing and Anti-yellow glass.
- Integral Heat Sink
- Save up to 85% ENERGY

### APPLICATIONS:

- Building facade, commercial
- Industrial, retail
- Hospitality buildings

### WARRANTY:

- 5-year standard warranty

### DIMENSION CHART:

MODEL	L (INCH)	W (INCH)	W (INCH)
40-50-60W	14.21"	9.29"	7.6"
80-100-120W	14.21"	9.29"	7.6"



### PARAMETER

Ordering information MA-EWP401ES-60W-CCT-D-HV-M-B

FAMILY	WATTAGE	CCT	D	HV	SENSOR MODEL	OPTIONS
MA-EWP401ES= LED Wallpack Light 400ES Series	40-50-60W 80-100-120W Power Selectable	30K=3000K 40K=4000K 50K=5000K <sup>1</sup> TCP= 3CCT Selectable	Dimming	HV=347V LV=277V	M=Microwave P=PIR	B=BLE Control EM= Emergency Driver



<sup>1</sup>TCP=3000K/4000K/5000K DIP Selectable

### SPECIFICATION:

ITEM	SPECIFICATION	MA-EWP401ES-60W	MA-EWP402ES-120W
		DETAILS	
GENERAL PERFORMANCE	Power Consumption	40-50-60W	80-100-120W
	Equivalent Wattage	100-120W MH	150-250W HID
	Lumens Delivered	up to 8400lm	up to 16800lm
	Efficacy	140 LM/W (±10%)	
	CRI	>70	
	Color Temperature	3000K / 4000K / 5000K adjustable	
	L70 Lumen maintenance	70,000Hrs	
ELECTRICAL	Power Factor	≥0.9	
	Input Voltage	120-277VAC/120-347V	
	Wattage Adjustable	40-50-60W	80-100-120W
	Dimming	0-10v	
PHYSICAL	Mounting	Wall-mount	
	Operating Temperature	-40°F to 113°F	
	Humidity	Operating Humidity: RH<90%	
QUALIFICATION	Qualifications	UL / DLC Premium	
	Material Usage	RoHS compliant; no mercury	
	Environment	Outdoor / Wet, IP65	
	Warranty	5 Year Warranty	

\*To stem mount product,remove hook in the field.

### ACCESSORIES (For APP Smart Fixture):

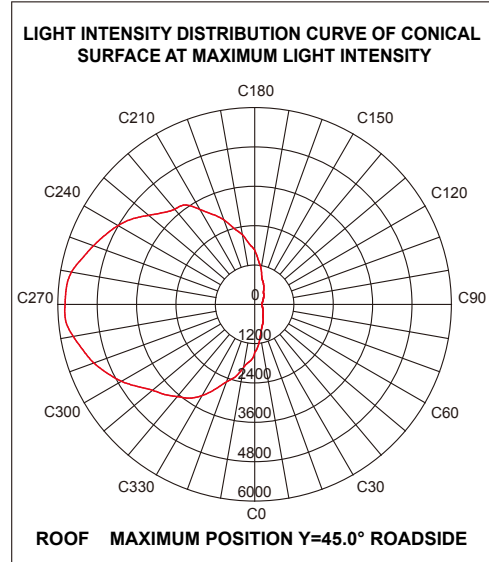
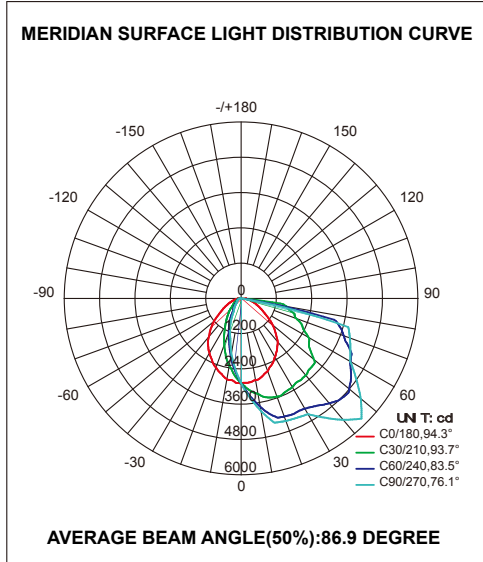
MODEL NUMBER	DESCRIPTION	IMAGE
MA-LH101M	Bluetooth microwave motion sensor	
MA-LH201P	Bluetooth PIR motion sensor	



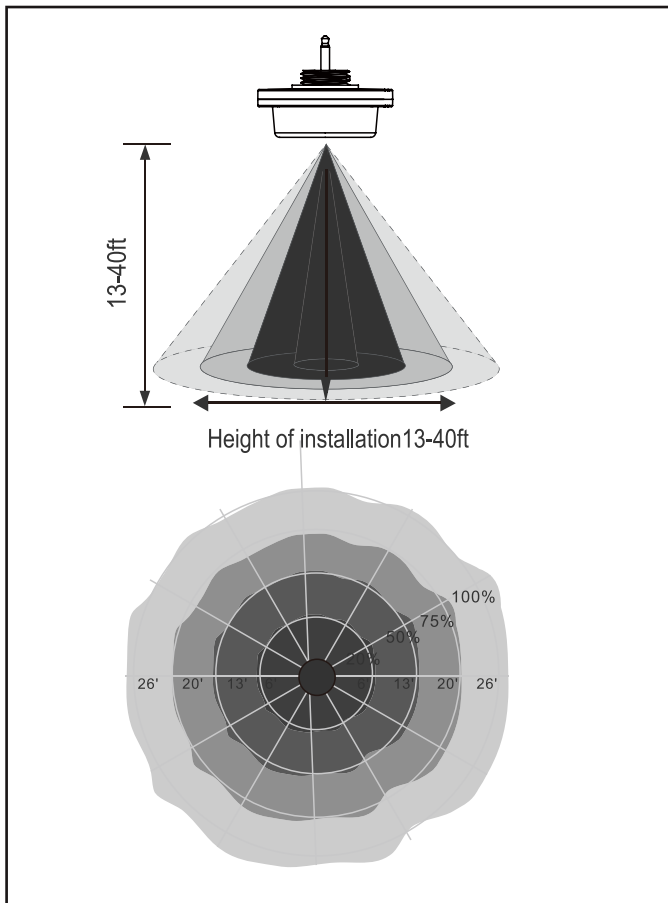
**PHOTOMETRIC REPORTS**

Photometric values based upon tests performed in compliance w/ LM-79.

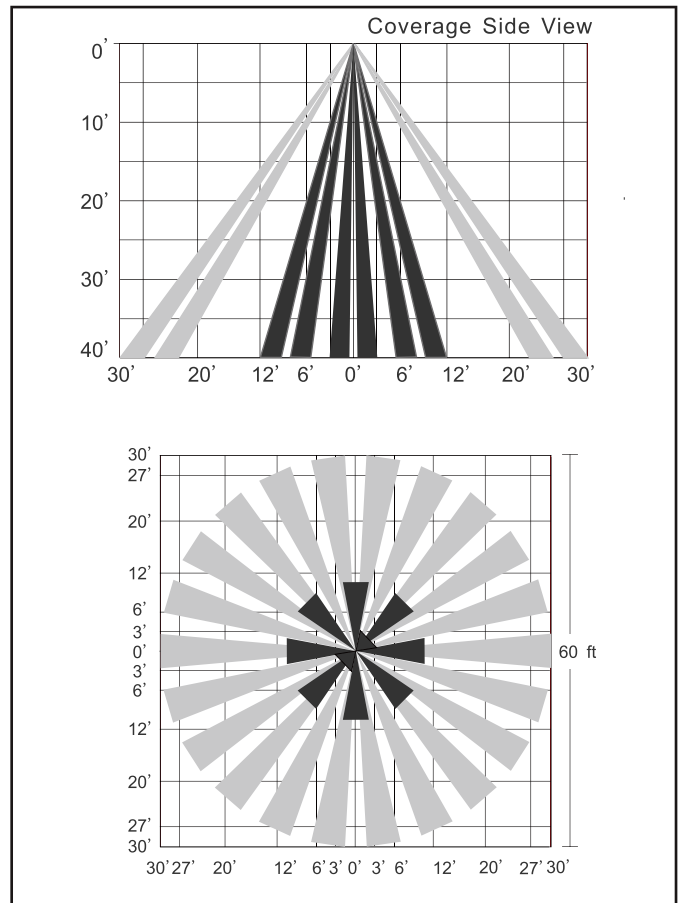
**MA-EWP401ES Series**



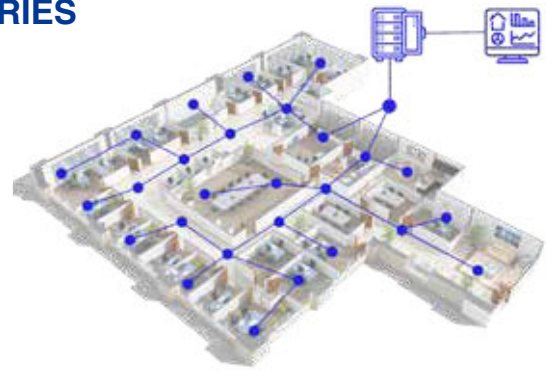
**MICROWAVE SENSOR COVERAGE:**



**PIR SENSOR COVERAGE:**



# Our Smart Lighting Solutions



## MORLINK

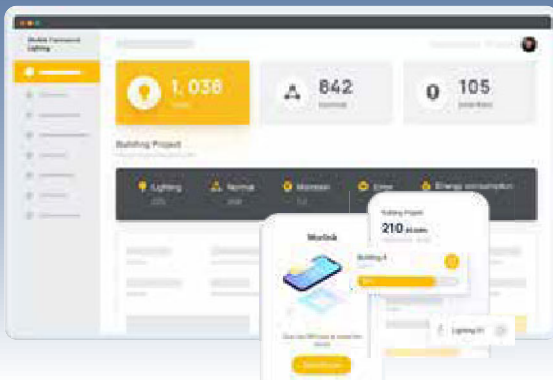


Complete Businesses Smart Lighting Solution

**01** Multi-application platform design, integrating Bluetooth, Zigbee and WiFi wireless general technology can realize equipment group control, equipment monitoring and fault diagnosis, scene management, and automation, etc.

**02** Users can share lighting equipment by equipment category or area on the Morlink SaaS platform, and scan the equipment sharing QR code through the Morlink applet for remote control.

**03** Support visual management of equipment, large-scale data analysis, user authorization and allocation, site mapping and configuration, and unified management of multiple projects.



## SILVAIR



Reliable and energy-efficient lighting control solution

Silvaire Intelligent Lighting Control System is a wireless lighting control system that uses Bluetooth mesh technology to enable advanced lighting control capabilities. Compared to other competitors in the market.



### Compatibility

Compatible with more devices including DALI and 0-10V interfaces. Can be easily integrated into existing lighting infrastructure without major changes.



### Capabilities

More advanced lighting control functions can be integrated with other building automation systems to provide a comprehensive solution for intelligent lighting control.



### Interface

Friendly interface: Intuitive user interface, can easily control and manage their lighting system and provide configuration and customization services to meet specific user needs.



### Scalability

Highly scalable and can be easily expanded as lighting needs grow. This makes it an ideal solution for both small and large-scale projects.

