

LED Linear High Bay Light Specs



Features:

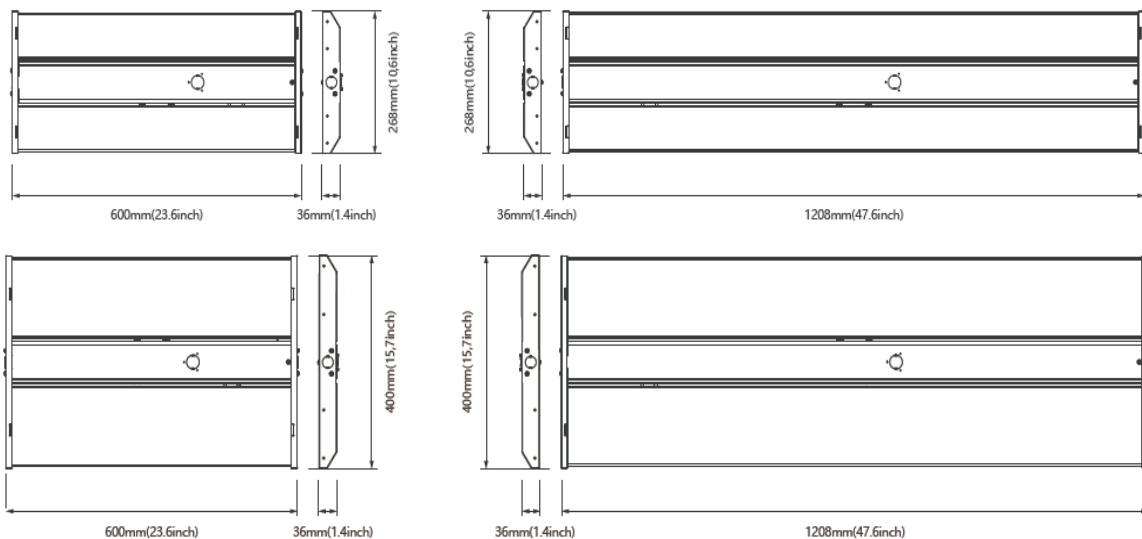
1. Wide input voltage range AC 120-277V & AC 120-347V.
2. Anti-UV PC Optical Material.
3. Luminous efficiency: 135LM/W & 150LM/W.
4. Multiple CCT and power selectable by DIP switch.
5. Unique design allows it to shine partially upward.
6. Microwave and daylight sensor is placed in the center of the light fixture.
7. Mounting options: chain and pole pendent mounting.
8. Ambient temperature: -25° C (-13° F) - +45° C (113° F) .

Applications

◆ Widely used in Industrial application: Warehouse, Factory etc.
 Commercial application: Exhibition Room, Supermarket etc.

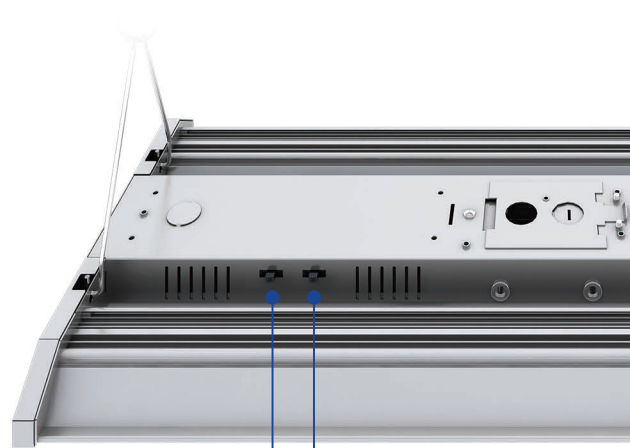
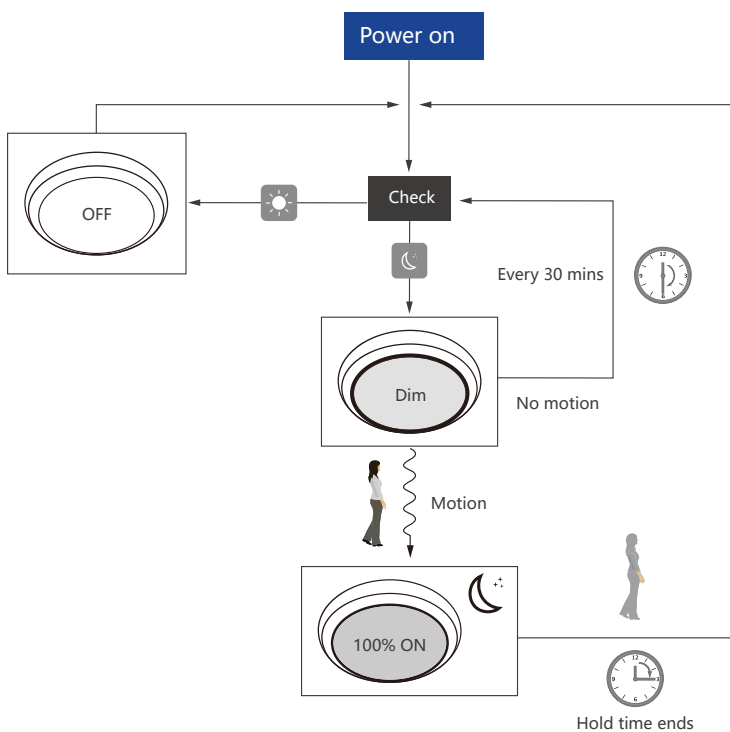
Model NO.	Voltage	Power	SIZE	CCT	Power Factor	Lumens	CRI	Lifespan	Certificate
MA-HLHB401ST	AC120-277V	80W/100W/160W	600x268x36mm 23.6"X10.6"X1.4"	5000K (130lm/w & 150lm/w)	>0.9	24,000lm 10,800lm 13,500lm	80	50000hrs	UL/cUL/DLC
				4000K/4500K/5000K (150lm/w)					
MA-HLHB402ST	AC120-277V	80W/100W/160W	1208x268x36mm 47.6"X10.6"X1.4"	5000K (130lm/w)	>0.9	24,000lm 10,800lm 13,500lm	80	50000hrs	UL/cUL/DLC
MA-HLHB403ST	AC120-277V	100W/160W/220W	600x400x36mm 23.6"X15.7"X1.4"	5000K (150lm/w)	>0.9	33,000lm 48,000lm 13,500lm 21,600lm	80	50000hrs	UL/cUL/DLC
MA-HLHB404ST	AC120-277V	100W/160W/220W	600x400x36mm 23.6"X15.7"X1.4"	5000K (130lm/w)	>0.9	33,000lm 48,000lm 13,500lm 21,600lm	80	50000hrs	UL/cUL/DLC
MA-HLHB405ST	AC120-277V	160W/220W/320W	600x400x36mm 23.6"X15.7"X1.4"	5000K (150lm/w)	>0.9	48,000lm 29,700lm 43,200lm	80	50000hrs	UL/cUL/DLC
				4000K/4500K/5000K (150lm/w)					

Product Dimension





Microwave Sensor

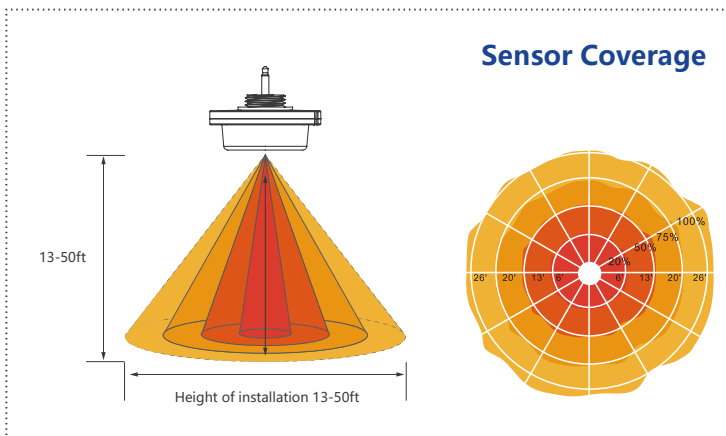
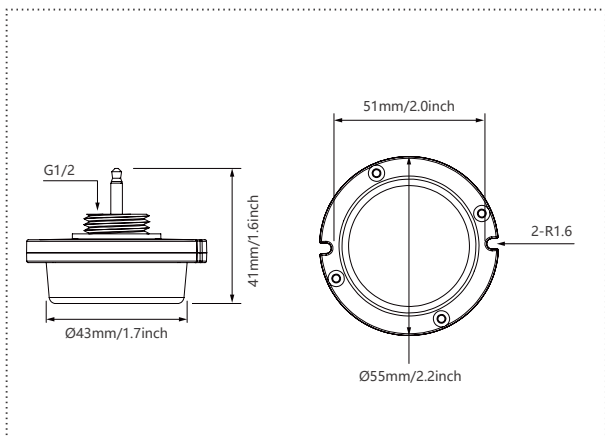


Power Switch

Power Adjustable
80W/100W/160W
100W/160W/220W
160W/220W/320W

CCT Switch

CCT Tunable
4000K/4500K/5000K



Corridor Function

This function inside the motion sensor provides three-level control for specific areas that require an indication of light change before turning off. The sensor provides 3 light levels: 100%-> dimmed light (natural light is insufficient)-> off; and 2 periods of selectable waiting time: motion hold time and stand-by time: selectable daylight threshold and selectable detection area.



With sufficient natural light, the light does not switch on when presence is detected.

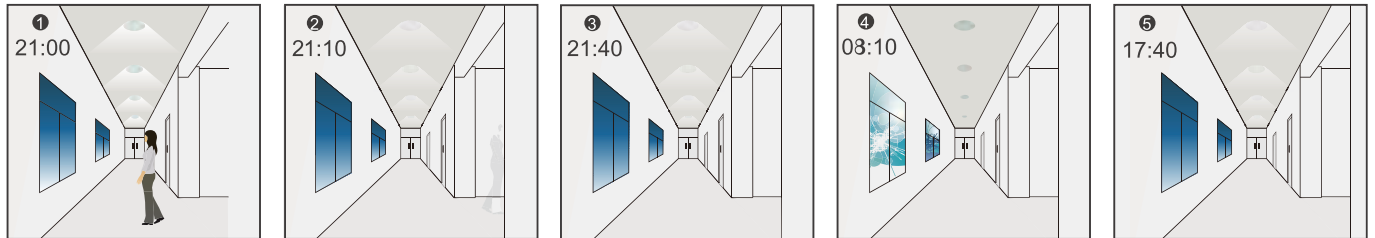
With insufficient natural light, the sensor switches on the light automatically when presence is detected.

After hold-time, the light dims to stand-by level if the surrounding natural light is below the daylight threshold.

Light switches off automatically after the stand-by period elapses.

Daylight Sensor Function

Open the daylight sensor by pushing **(II)** when the remote control is in setting condition.



The light switches on at 100% when there is movement detected.

The light dims to stand-by level after the hold-time.

The light remains at a dimming level at night.

The light turns off when the natural light level exceeds the set point.

The light automatically turns on at 10% when natural light is insufficient (no motion).

① ← → ③

Go in a cycle at night ...
100% on when movement is detected and dim to 10% brightness in long absence.

Settings on this demonstration:

Hold-time: 30 min

Setpoint on: 50 lux

Setpoint off: 300 lux

Stand-by Dim: 10%

Stand-by period: +∞

◊ When the smart photocell sensor opens, the standby time is only +∞

MORSTAR INC



Morstar Inc 12868 Farmington Road Livonia, Michigan 48150, USA

Phone: +1-877-977-3732 FAX: +1-866-936-1782 Email: sales@morstar.com Website: www.morstar.com

LED Linear High Bay Light Specs

Installation

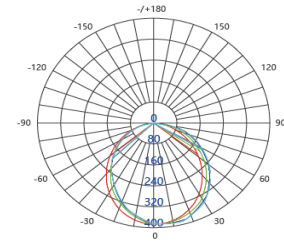
○ Chain Mounting



○ Pendant Mounting



Light Distribution:



C0/180 — C9/270

Optional(105°)

Packing information:

Size	Outer Box	G.W/CT	N.W/CTN
600x268x36mm 23.6"x10.6"x1.4"	68.6*34.3*12.7cm 27"x13.5"x5"	6.5KGS	5.8KGS
1208x268x36mm 47.6"x10.6"x1.4"	129.6*34.3*12.7cm 51"xx13.5"x5"	11.2KGS	10.2KGS
600x400x36mm 23.6"x15.7"x1.4"	67.4*47*12.7cm 26.5"x18.5"x5"	10KG S	9KGS