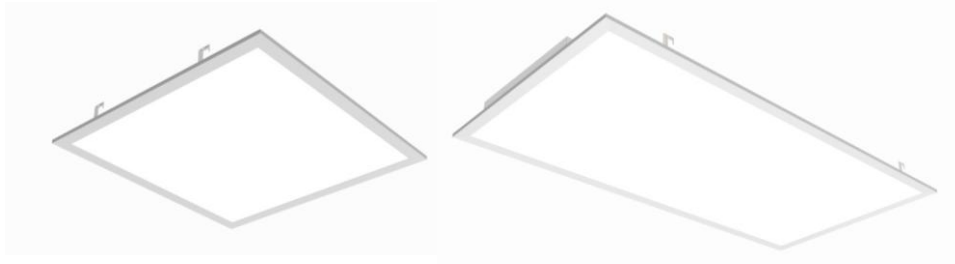


LED Panel Spec.



Features

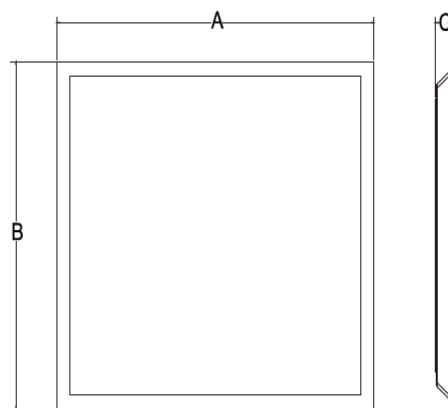
1. The panel light has uniform and soft luminance, high luminous efficacy, saving energy and protecting environment.
2. Extremely slim and beautiful.
3. Using high quality aluminum frame with great heat dissipation and low light degradation.
4. Using high quality driver, efficiency >86%, PF >0.9.
5. Lifespan >50000 hours.
6. 0-10V dimming can be well compatible with all kinds of brand dimmers.

Applications

Widely used in commercial lighting places, such as office, factory, supermarket, etc.

Model NO.	Voltage	Power	CCT	Length	Efficacy	CRI	Lifespan	Certificate
MA-HPL201J-20/30/40W	AC120-347V	20/30/40W Tunable	3000K 4000K 5000K	2ft x 2ft	130lm/w	>80	50,000hrs	ETL/cETL; DLC Premium
MA-HPL202J-40/50/60W	AC120-347V	40/50/60W Tunable	6500K Color Tunable	2ft x 4ft	130lm/w	>80	50,000hrs	ETL/cETL; DLC Premium

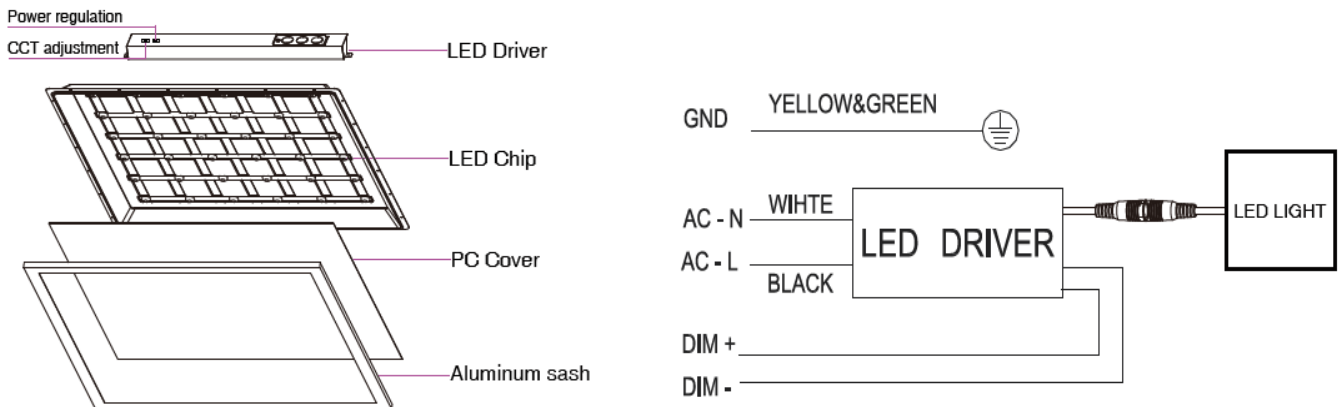
Product Dimension



Maximum overall	A	B	C
2*2ft	603mm	603mm	35mm
2*4ft	1213mm	603mm	35mm

LED Panel Spec.

Wiring Diagram



Installation Manual

Step 1: Make sure of all the power is off before installing. Remove the one ceiling tile that you need to install light fixture on. Then place the light fixture on the T-bar carefully and make sure it is correctly in place and secure.

Step 2: Lift the 4 buckles on the back of the panel up by 90° then bend the top part of the buckles 90° towards the direction where you can anchor the light fixture to the T-bar.

Step 3: Place the driver on top of the lighting fixture in the back. Connect the cable between the driver and the lighting fixture. Open the driver's junction box and connect the AC wire to the driver correctly (L=black & N=white)

Warning:

Make sure all the power is off before installation.
All the installations are required to be done by professionals.

