

IMPORTANT SAFEGUARDS

⚠ WARNING / AVERTISSEMENT

RISK OF ELECTRIC SHOCK

- Disconnect power before installation or removal.
- Properly ground electrical enclosure.

RISK OF FIRE

- Follow all NEC and local codes.
- Use only UL approved wire for input/output connections. Only use size 18 AWG.

RISQUES DE DÉCHARGES ÉLECTRIQUES

- Coupez l'alimentation avant d'inspecter, installer ou déplacer le luminaire.
- Assurez-vous de correctement mettre à la terre le boîtier d'alimentation électrique.

RISQUES D'INCENDIE

- Respectez tous les codes NEC et codes locaux.
- N'utilisez que des fils approuvés par UL pour les entrées/sorties de connexion. Taille minimum 18AWG ou 14 AWG.

DISCLAIMER OF LIABILITY

- MORSTAR Lighting assumes no liability for damages or losses of any kind that may arise from the improper, careless, or negligent installation, handling, or use of this product.

Caution



- To avoid possibility of electrical shock or fire, the installation personnel must have professional electric knowledge.
- Please wear gloves to avoid injury before installation.
- If any smoke or spark of the wire happened, please turn off the power immediately and notify relevant personnel.



- The grounding and bonding of the overall system shall be done in accordance with National Electric Code (NEC) and local codes.

Note

- Fixture may become damaged and/or unstable if not installed properly.
- Specifications and dimensions subject to change without notice.

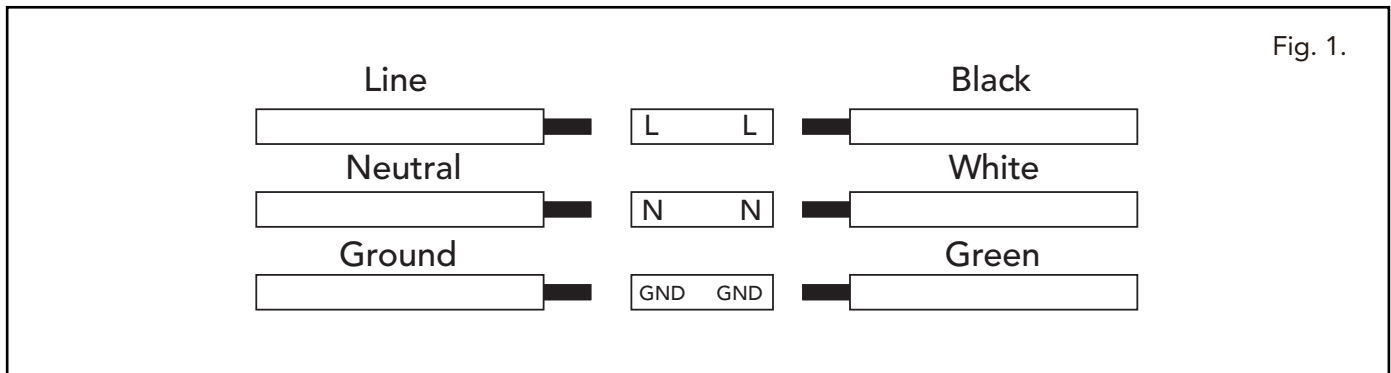
ATTENTION Receiving Department:

- Please check if there is any damage during shipping. If so, please contact the manufacturer timely.
- Please read the installation instruction carefully to check whether all the accessories are complete. After confirmation, then install the fixture according to installation steps

Application

With Die-cast Aluminum Housing Heating sink, High Performance Lumileds SMD3030, DLC Premium Design, the LED Wall Pack is designed for Factory workshop, Gym, Industrial lighting, Wall lighting area, Plant, Stadium, Architectural lighting, etc.

WIRING DIAGRAM



WIRING

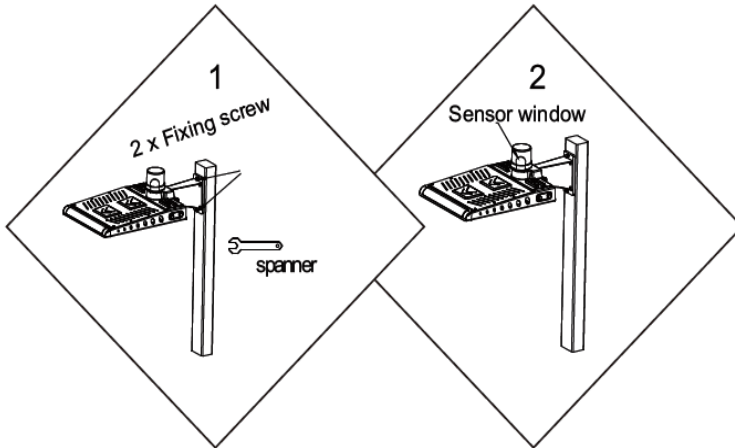
Universal voltage driver permits operation at 100-277V, 50/60 Hz. Follow wiring directions as in Fig. 1.

1. Connect the black fixture lead to the (L) LINE supply lead.
2. Connect the white fixture lead to the (N) NEUTRAL supply lead.
3. Connect the GROUND wire from the fixture to the supply ground.

Installation Manual

1. Tighten 2 x Fixing screws by spanner, ensure to add star washer avoid the screws will loose.
2. Turn on the power to test shoe box light, but you need to cover the sensor window if there is sunshine.

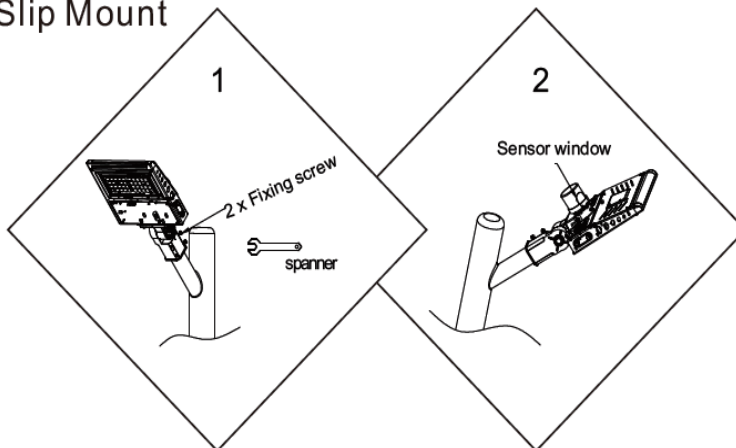
Arm Mounted



Drill holes on the square pole corresponding to the holes on the arm, and use the bolt and nut plate to fix the fixture to the pole tightly.

Connect the AC wire of the fixture and tighten the water-proof gasket and cover plate on the arm by screws, then power on.

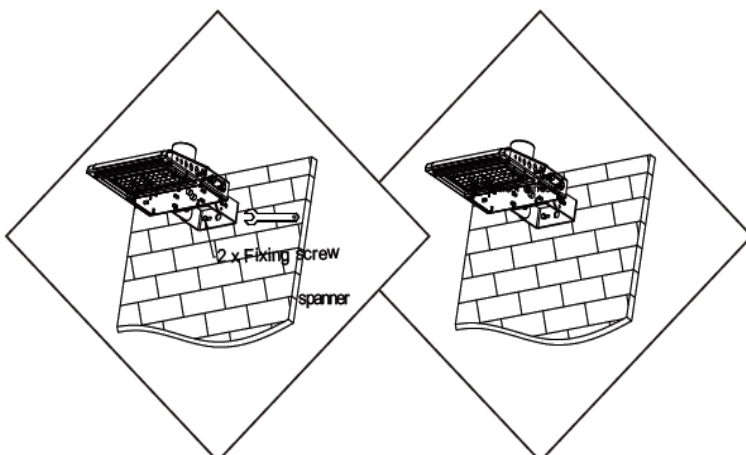
Slip Mount



Slip fitter mounts are very easy to install as they usually slide over standard 2 3/8-inch lighting poles.

The biggest advantage of slip fitter mounts is that they give you the ability to angle the light inwards. They have adjustable heads.

Trunnion Mounted



These are versatile mounts and fit at the bottom of the LED Shoe Box lights.

They borrow their design from the mounts that are generally used on flood lights (yoke mounts).

CAUTION:

Be sure the fixture temperature is cool enough to touch. Do not clean or maintain while the fixture is energized.

1. Make sure the power has been turned off before maintenance.
2. Clean the lens cover regularly to maintain high transmission of light.
3. Clean up the dust from the reflector and heat sink regularly to keep sound heat dispersion.
4. Be careful not to use water or corrosive solution for cleaning, preferably with a dry cloth.
5. Do not cover anything on the lamp which is harmful for heat sink.

TROUBLESHOOTING

1. Check that the line voltage at the fixture is correct. Refer to wiring directions.
2. Is the fixture grounded properly?

Note: *These instructions do not cover all details or variations in equipment, nor do they provide for every the possible situation during installation operation or maintenance.*

Note:

This equipment has been tested and found to comply with the limits for a Class A digital device, pursuant to part 15 of the FCC Rules. These limits are designed to provide reasonable protection against harmful interference when the equipment is operated in a commercial environment. This equipment generates, uses, and can radiate radio frequency energy and, if not installed and used in accordance with the instruction manual, may cause harmful interference to radio communications. Operation of this equipment in a residential area is likely to cause harmful interference in which case the user will be required to correct the interference at his own expense. This device complies with Part 15 of the FCC Rules. Operation is subject to the following two conditions: (1) This device may not cause harmful interference, and (2) this device must accept any interference received, including interference that may cause undesired operation. This Class [A] RFLD complies with the Canadian standard ICES-005. Ce DEFR de la classe [A] est conforme à la NMB-005 du Canada.

Note:

This equipment has been tested and found to comply with the limits for a Class A digital device, pursuant to part 15 of the FCC Rules. These limits are designed to provide reasonable protection against harmful interference when the equipment is operated in a commercial environment. This equipment generates, uses, and can radiate radio frequency energy and, if not installed and used in accordance with the instruction manual, may cause harmful interference to radio communications. Operation of this equipment in a residential area is likely to cause harmful interference in which case the user will be required to correct the interference at his own expense.